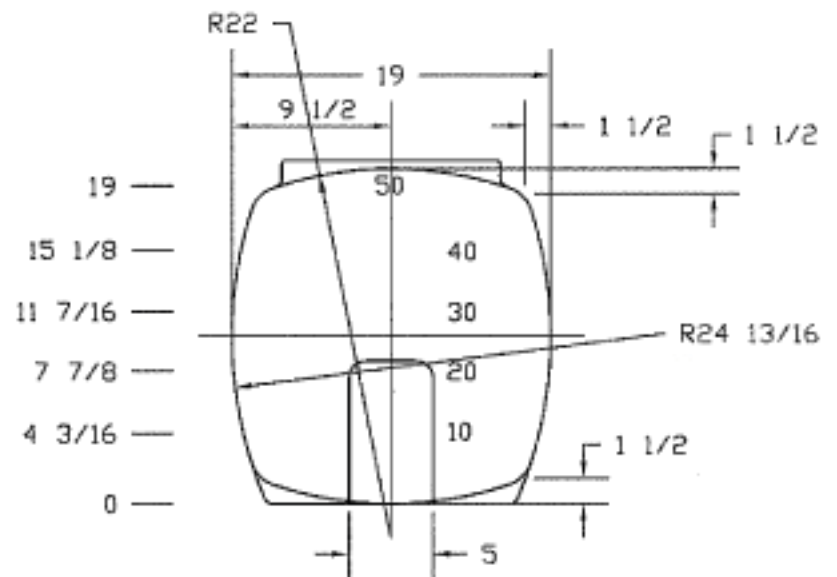
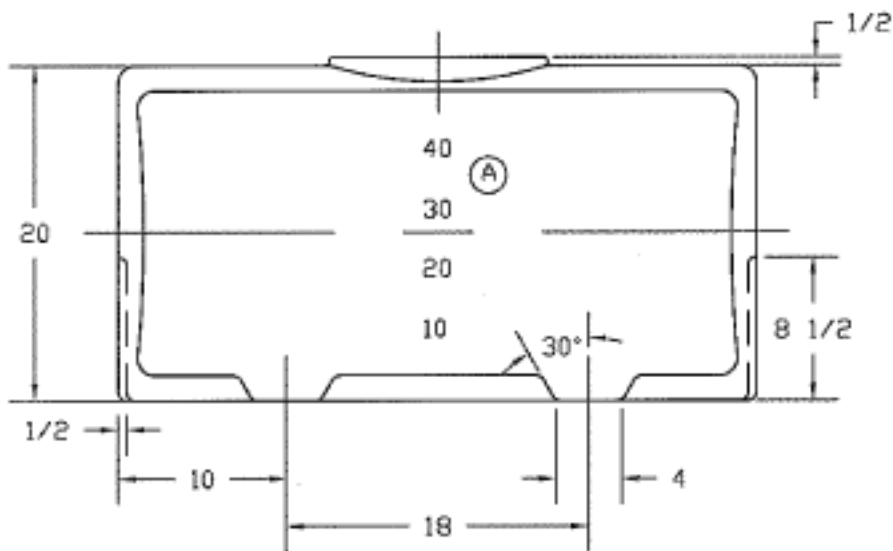



REVISIONS				
ZONE	REV	DESCRIPTION	DATE	APPROVED
	A	ADDED GAL MARKS	29MAR96	



			
<b>50 GALLON PCO TANK</b>			
JTP	14JUL95	SIZE B	FSOM NO.
		ENG NO.	REV
SCALE $1/8$		SHEET	